

60" BARTLETT CAST IRON ROLL TOP TUB

Cat. No.
CTR60



L: 60-3/4"
W: 30-1/2"
H: 24" (from floor to top of tub)
19-1/4" (from bottom of tub to top of tub)

The following is recommended for CTR60 tubs without faucet holes:

- Faucet: part #4602, 4604 or 7082
- Rigid, freestanding supplies: part #4502
- Leg tub drain: part #5599

Gallon Capacity: 40
Shipping Weight: 500 lbs.
Empty Weight: 287 lbs.
Filled Weight: 621 lbs.

Features:

- ▶ Inside finish is white enamel
- ▶ Cast Iron ball and claw feet
- ▶ Tub exterior is white (epoxy)
- ▶ No faucet holes
- ▶ Non-skid strips
- ▶ Continuous rolled rim
- ▶ Feet are attached and leveled before shipment
- ▶ Tub is thoroughly inspected before shipment

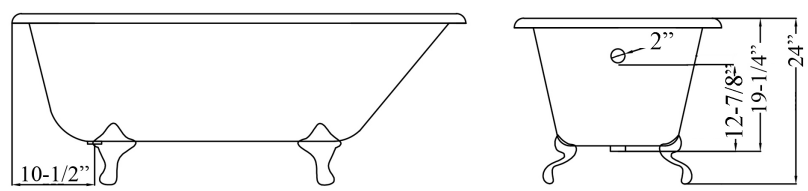
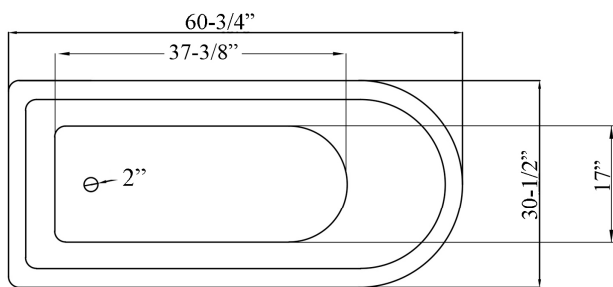
Foot Finishes:

- UF Unfinished
- BL Painted Black
- BQ Painted Bisque
- PB Polished Brass



- CP Polished Chrome
- WH Painted White
- PN Polished Nickel
- SN Brushed Nickel
- ORB Oil Rubbed Bronze

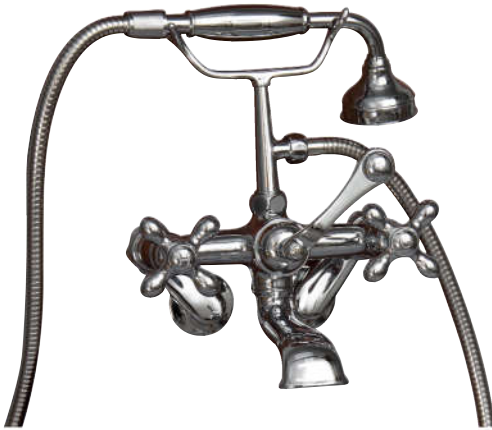
Custom Colors Available (inside of tub is always white enamel):
Painted bathtubs are considered "special order" and are not returnable
\$160 Bisque or Black \$250 Designer Color



Dimensions of fixtures are nominal and may vary within the range of tolerance established by ANSI standard A112.19.2. Dimensions and specifications subject to change with out notice.

TUB WALL MOUNT FILLER WITH HANDSHOWER

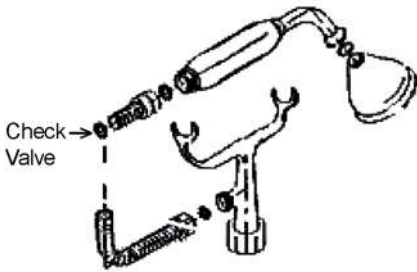
Cat. No.
4604



(ML)



(ML2)



Features:

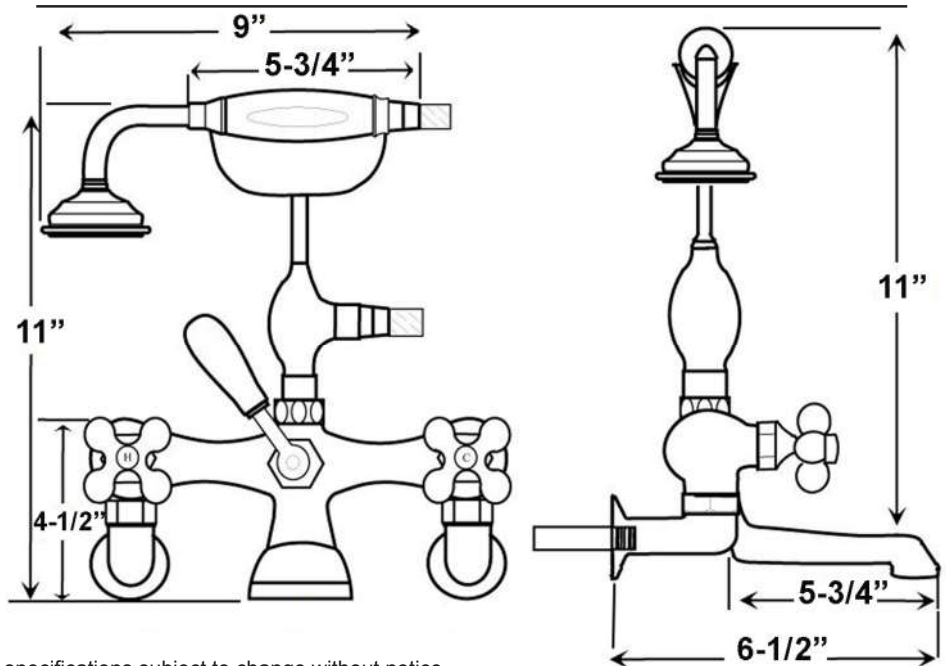
- ▶ Brass construction
- ▶ Elephant spout length is 5-3/4"
- ▶ Flow rate is 3.7 GPM
- ▶ Available with metal cross handles (**4604-MC**) or metal lever handles in 2 different styles (**4604-ML, 4604-ML2**)
- ▶ Metal cross handles feature "H" and "C" for hot and cold
- ▶ Metal telephone style hand shower with cradle and hose
- ▶ Handshower flow rate 2.5 GPM
- ▶ Handshower includes backflow preventer
- ▶ Swivel Mounts adjust centers from 3" to 12"
- ▶ Faucet centers are 7" without swivel mounts
- ▶ For tub wall installation
- ▶ 1/4 Turn ceramic disc cartridges
- ▶ To be used with double offset bath supplies, **Part #5576**
- ▶ This faucet can also be used with rigid freestanding supplies, **Part #4502** with adjustable swivel mounts removed

Finishes:

- BP** Polished Brass
- SN** Brushed Nickel
- CP** Polished Chrome
- PN** Polished Nickel
- ORB** Oil Rubbed Bronze



Adjustable Swivel Mounts



Dimensions are nominal and may vary. Dimensions and specifications subject to change without notice.

FREESTANDING BATH SUPPLIES

Cat. No.
4502-PL



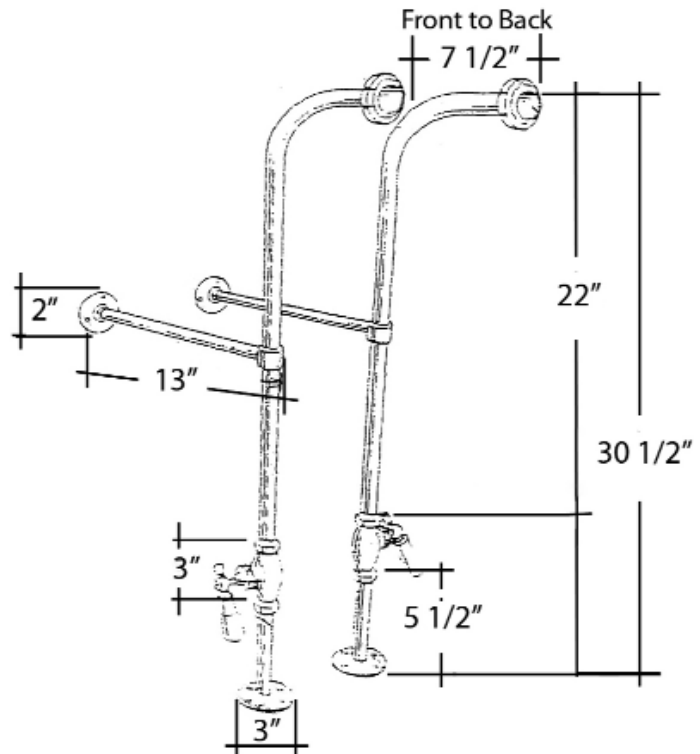
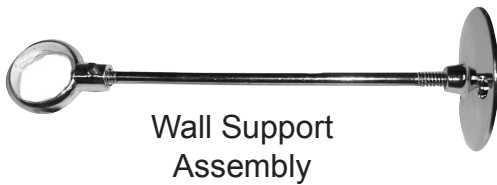
Features:

- ▶ 5" Shaft included
 - ▶ Stops included
 - ▶ 1/2" Pipe thread inlet
 - ▶ 3/4" Flare outlet
 - ▶ Wall support assemblies included
 - ▶ Porcelain lever handles
 - ▶ Available in 5 finishes
 - ▶ Should not be used with leg tubs that have factory drilled holes.
- ▶ 0.800" Outer diameter
 - ▶ 0.595" Inner diameter
 - ▶ 0.090" Thickness of wall

Finishes:

- CP Polished Chrome
- PN Polished Nickel
- BP Polished Brass
- ORB Oil Rubbed Bronze
- SN Brushed Nickel

H: 30" (30-1/2" with nut)



Use on concrete floors requires special installation. We recommend using a plumbing professional.

Dimensions are nominal and may vary. Dimensions and specifications subject to change without notice.

LEG TUB DRAIN

Cat. No.
5599



Escutcheon Height: 1-1/4"

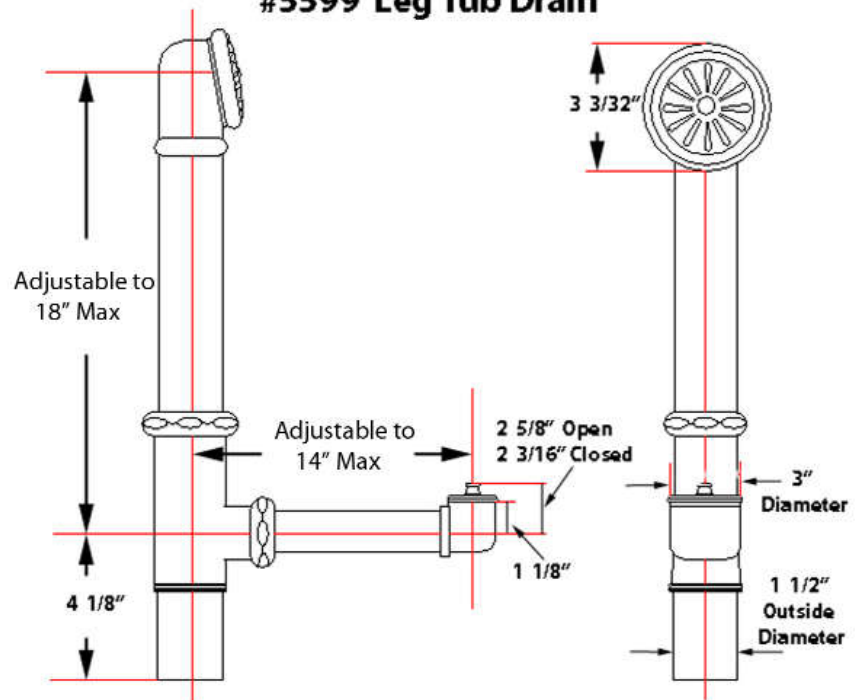
Features:

- ▶ Brass Construction
- ▶ Twist-and-lift stopper
- ▶ Includes deep escutcheon
- ▶ Height adjustable 15"-18"
- ▶ Depth adjustable 12"-14"
- ▶ Includes deep escutcheon
- ▶ Available in 5 Finishes

Finishes:

- CP Polished Chrome
- BP Polished Brass
- SN Brushed Nickel
- PN Polished Nickel
- ORB Oil Rubbed Bronze

#5599 Leg Tub Drain



Dimensions and specifications subject to change without notice.